

# 规格书 Specification

品名  
Model name **HYT-096CF**

**PROPRIETARY**  
Huayu Electronic co.,Ltd.

**CONFIDENTIAL**  
Huayu Electronic co.,Ltd.

Version #	Spec V1.0
制作日期 Date	2014/4/01
准备 Prepared	Yi Shen Acoustic specialist,R&D Dept.
承认 Approved	Qian Wanjin Executive Manager,R&D Dept.



**兴化市华宇电子有限公司**

*Components Operating Div.  
Huayu Electronic co.,Ltd.*

1.适用范围：本规范适用于 HYT-096CF 蜂鸣器。

This specifications apply the HYT-096CF buzzer.

2.基本规格/General specification

项目/Item	HYT-09603CF	HYT-09605CF	HYT-09612CF	条件/Condition
1 额定电压 Rated voltage	3VDC	5VDC	12VDC	
2 工作电压 Operation voltage	2~5VDC	4~7VDC	8~16VDC	
3 声压 Sound Pressure Level=SPL	Min 85dB Typical 90dB			测试环境：标准状态，标准驱动 电路，额定电压 测试距离：0.1m Standard State,Standard Drive Circuit. Rated voltage,Distance at 0.1m
4 平均消费电流 Average consumption current	Max 40mA			
5 振荡频率 Oscillation frequency	3000±300Hz			
6 响应时间 Response time	Max 50mS			最低工作电压 Lowest operation voltage
7 工作温度范围 Range of operation temperature	-30~+80℃			声压 ≥75dB SPL ≥75dB
8 保存温度范围 Range of preservation temperature	-30~+80℃			
9 端子强度 Terminal strength	10N			拉负荷方向的终端轴 Pull load on the direction of the terminal axis
10 外部尺寸 Externals size	Φ9.6x5			参阅附图 Refer to the attached drawing
11 重量 Mass	2g			

☆标准状态：常温（15~35℃），湿度（25~85%相对湿度），空气压力（860~1060hpa）

在假设的情况判断，测试是一基本状态下进行。

Standard State:Ordinary Temp(15~35℃),Humidity(25~85%RH),Air pressure(860~1060hPa)

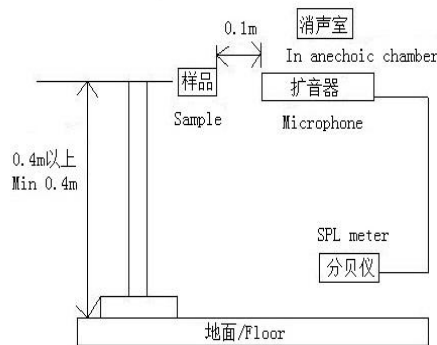
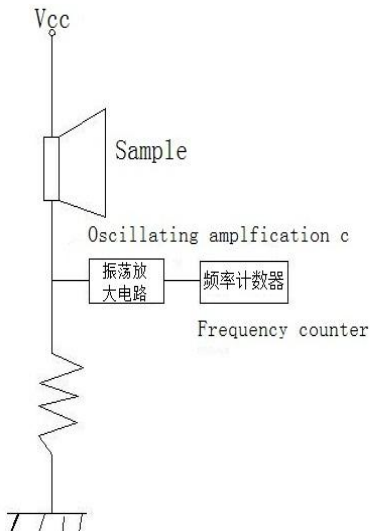
In case of doubtful judgment,the test is re—performed under Basic State.

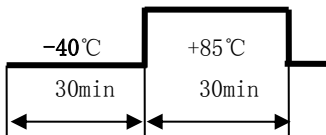
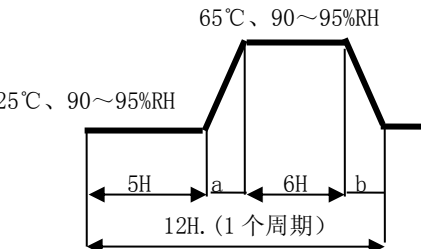
☆基本情况：温度。（20±2℃），湿度（60~70%相对湿度），空气压力（860~1060hpa）

Basic State: Temp.(20±2℃),Humidity(60~70%RH),Air pressure(860~1060hPa)

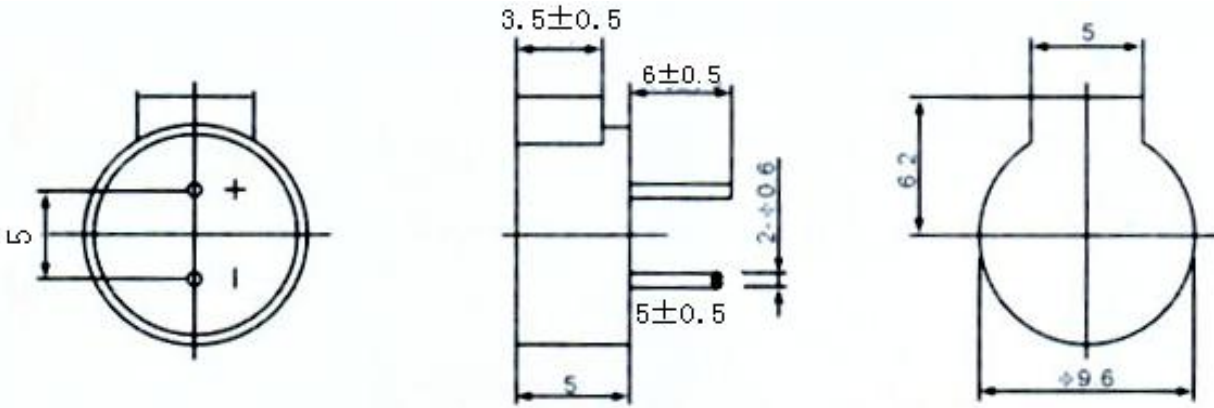
< 标准驱动电路 >/<Standard Drive Circuit>

< 标标测试治具 >/<Standard Test Fixture

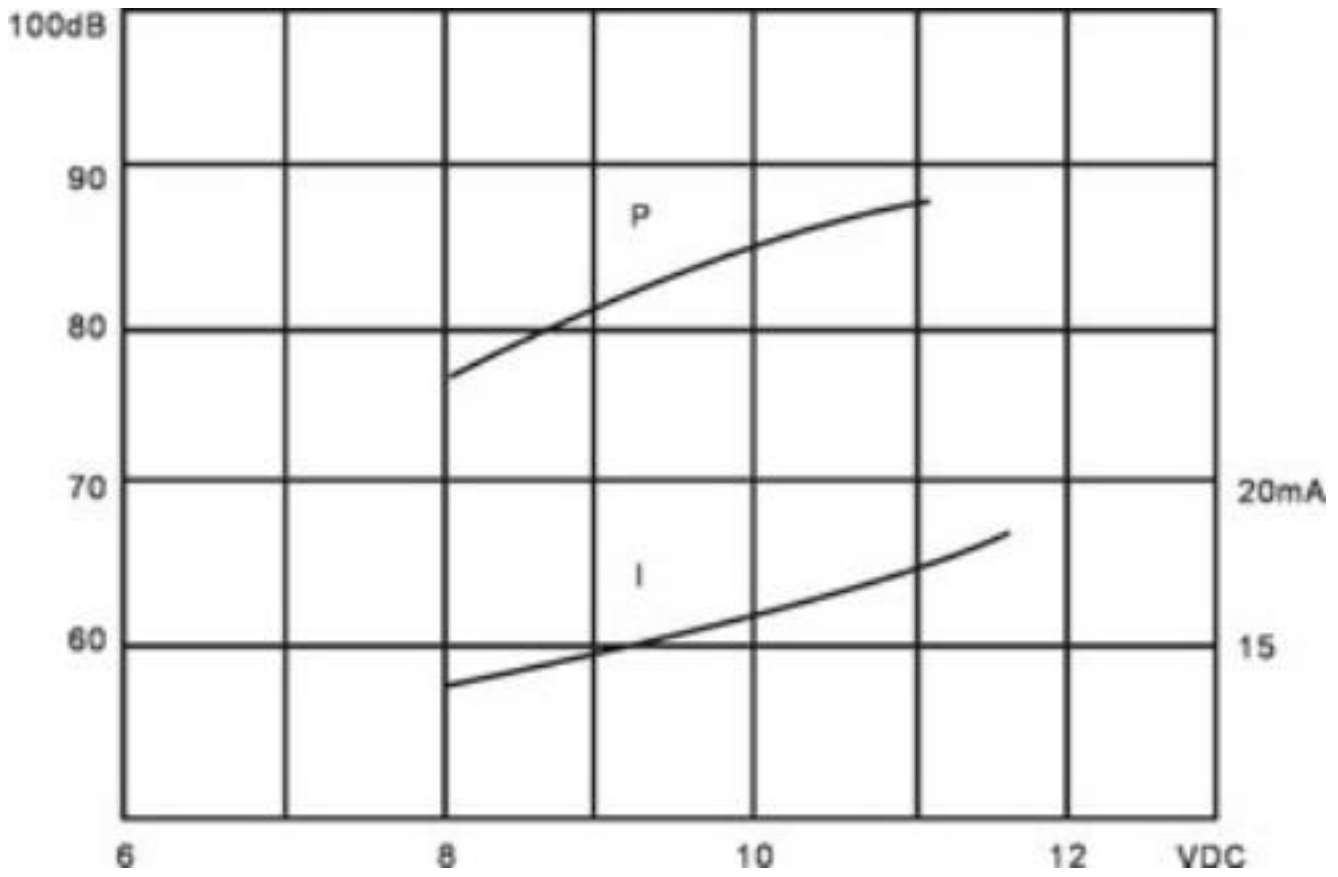


项目/Item	试验条件/Test condition	判断标准/Criteria	引用规格
1 高温保存试验 High temperature Preservation	+85℃环境下放置 96 小时 Exposure to +85℃ for 96 hrs.	经过测试,符合规格,没有任何不合格的外观和性能,除了是 80 分贝或以上 (2300±400 Hz) After the test the part shall meet specifications without any degradation in appearance and performance except SPL. SPL shall be 80 dB More. (at 2300±400 Hz)	GB/T 2423.2
2 低温保存试验 Low temperature preservation	-40℃环境下放置 96 小时 Exposure to -40℃ for 96 hrs.		GB/T 2423.1
3 耐温试验 Thermal Shock	 10 次周期 10 cycles		GB/T 2423.4
4 温湿度试验 Thermal, Humidity Shock	 10 cycles		
5 常温寿命试验 Ordinary Temp. Life	常温 (25℃±10℃) 电压 5VDC 连续测试 1000 小时 Driving the sounder at 5VDC for 1000hrs in the room temperature (25℃±10℃)		
6 高温寿命试验 High Temp. Life	高温 (+85℃) 电压 5VDC 连续测试 500 小时 Driving the sounder at 5VDC for 500hrs in the low temperature (+85℃)		
7 低温寿命试验 Low Temp. Life	低温 (-40℃) 电压 5VDC 连续测试 500 小时 Driving the sounder at 5VDC for 500hrs in the low temperature (-40℃)		
8 引脚拉力试验 Lead strength	10N 的拉力在引脚上拉 10±1 秒 Pull load on the direction of the terminal axis for 10±1 sec.		GB/T 2423.29
9 振动试验 Vibration	10~55~10Hz 正弦波测试 1 分钟, 振幅 1.52mm 最大 91m/S <sup>2</sup> X, Y, Z 三个方向每个 2 小时总计 6 小时 10~55~10Hz Sinewave, Sweep 1 min, Amplitude 1.52mm Max 91m/S <sup>2</sup> X, Y, Z 3Direction 2hrs each, Total 6hrs		GB/T 2423.10
10 自由掉落试验 Free drop	70cm 高自由掉落到厚 40mm 的木板上, 每个方向一次 Free drop, 70cm height, on wood board (t40mm) X, Y, Z 3Direction 1time each, total 3times.	排除弯曲的针 Exclude bending of Pin	GB/T 2423.8
11 波峰焊耐热试验 Solder heat resistance	260±2℃焊接温度。浸泡时间 3±0.5sec Soldering into solderbath: Solder Temp. 260±2℃ Soaking Time: 3±0.5sec	经过测试,符合规格,没有任何不合格的外观和性能 After the test the part shall meet specifications without any degradation in appearance and performance	GB/T 2423.28
12 耐洗性试验 Washability	溶剂: 去离子水, 溶剂温度: 55±5℃, 浸泡时间: 5±0.5 分钟 Solvent: deionized water, Solvent temp: 55±5℃ Soaking time: 5±0.5 minutes		
13 引脚可焊性试验 Solderability	40℃, 相对湿度 90~95%RH 放置 240 小时, 370±5℃焊接温度。 浸泡时间: 6±0.5sec。 Pretreatment: 40℃, 90~95%RH*240hrs Soldering into solderbath: Solder Temp. 370±5℃ Soaking Time: 6±0.5sec		引脚 95% 必须覆盖着焊料 95% surface of lead pins must be covered with fresh solder and no soldering holes Should be found

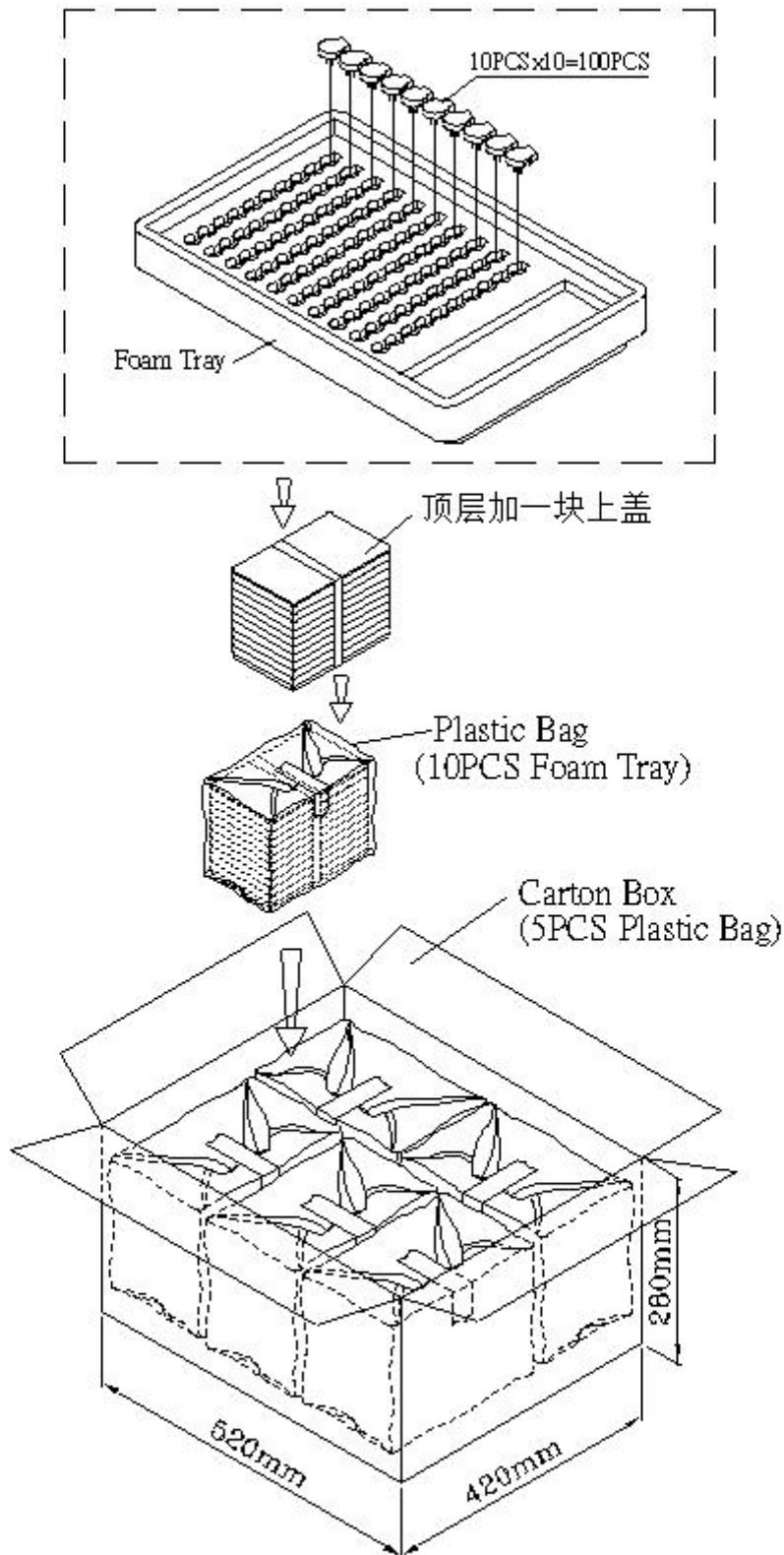
4. 尺寸图/Dimension



5. Frequency Curve 频率图



6 .Packing Method/包装图



Foam Tray	240mmx160mmx30mm	1x100PCS=100PCS
Plastic Bag		10x100PCS=1000PCS
Carton Box	520mmx420mmx280mm	5x1000PCS=5,000PCS